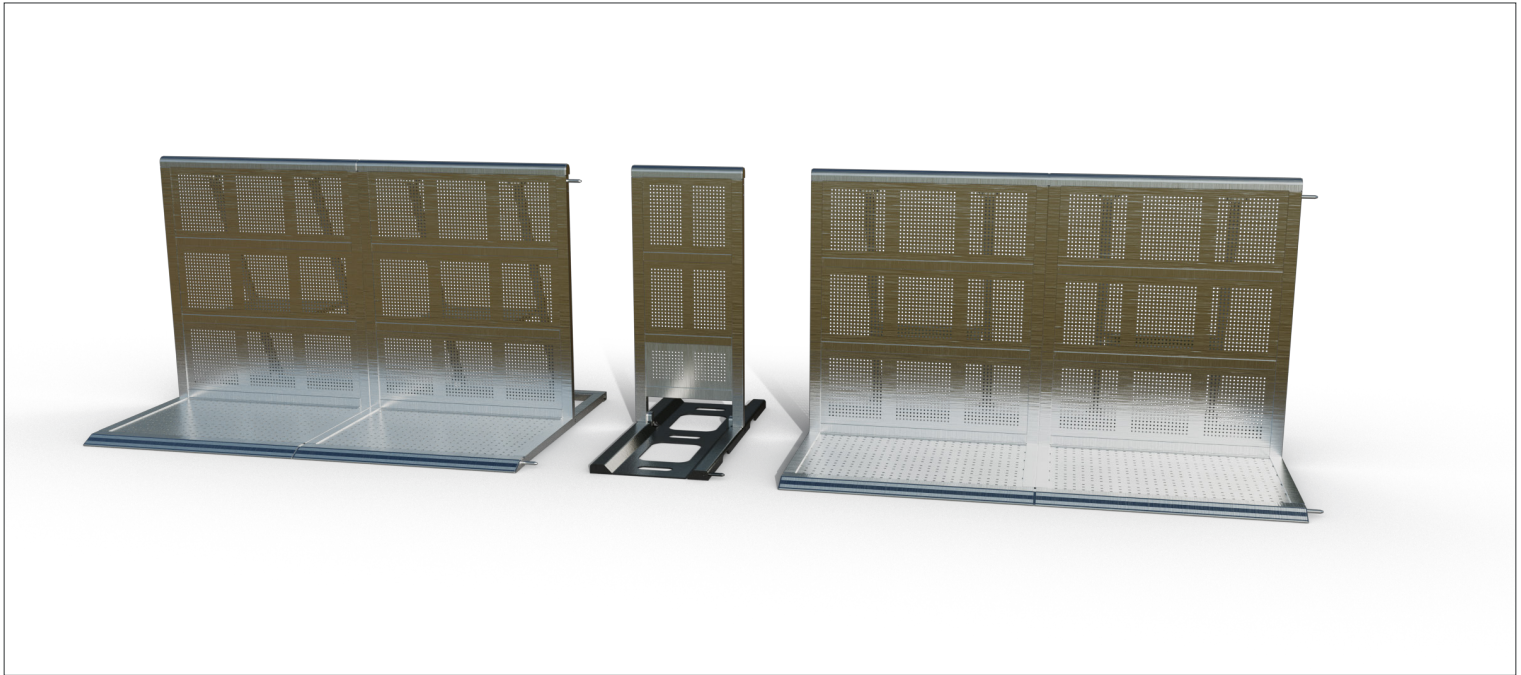


DB Cable Gate 0m50

Dutch Barrier's cable gate 0m50 consists of a treadplate and a removable upright. It does not require half-straight sections on either side. It provides a rock-solid crowd control solution in need of a small cable run. When running cables or smaller cable ramps, simply take out the upright by removing the two top bolts.

- a state of the art aluminium barrier system, built for fast setup and optimised crowd control solutions -

About

Dutch Barrier's founders and partners boast over 50 years of experience in high-end manufacturing, layout design, and crowd control solutions. We saw an opportunity to start afresh with an entirely new stage barrier design, preserving the best features and improving upon them where possible.

Why

We believe in quality, safety, and creating an unforgettable experience. The safer an audience is, the more comfortable it will feel at your event.

How

We achieve quality and safety by leveraging 50-plus years of combined original creators' experience to reinvent the to date world's best barrier system from the ground up, making it accessible to anyone who might be in the market for such a system, either to rent or to buy.

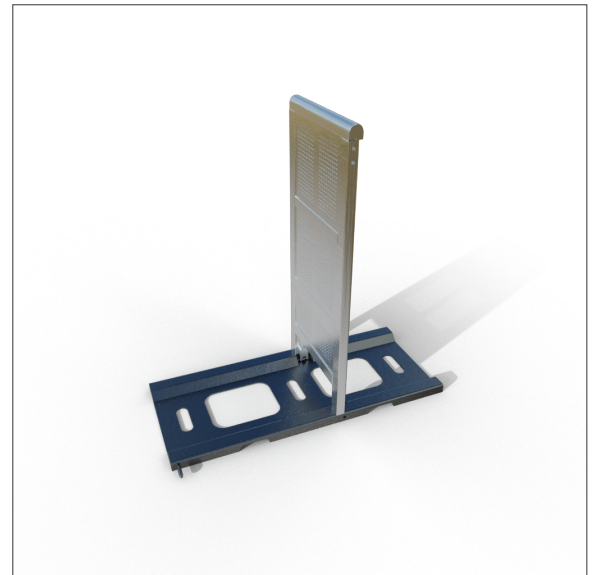
What

Dutch Barrier® is a state-of-the-art lightweight aluminium barrier system offering an innovative combination of straights, special sections and storage solutions. Create ingenious crowd control solutions, enjoy quick setups and enhanced handling, and benefit from an equal footprint for every dolly during transport or storage.

Oh, and there's one more thing...

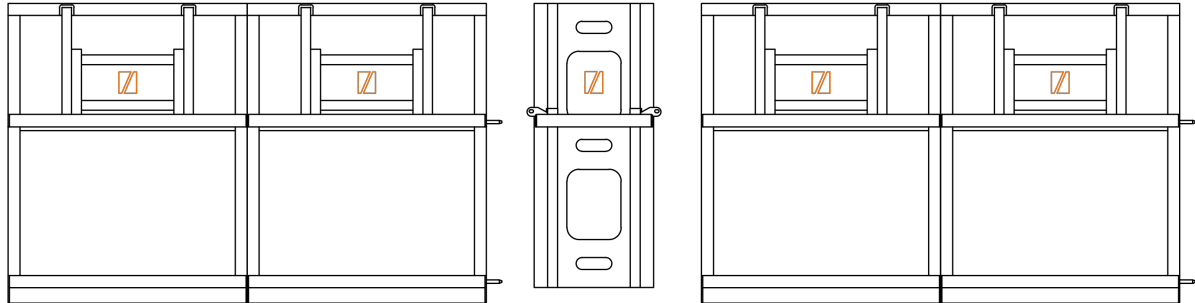
Dutch Barrier® is not just a brand. It's a state-of-the-art engineering company where customer support is an integral part of the mission rather than being hidden behind the impersonality of an online promise.

More information: info@dutchbarrier.nl
Rental & Sales: info@dutchbarrier.services



- a safe show for every row -

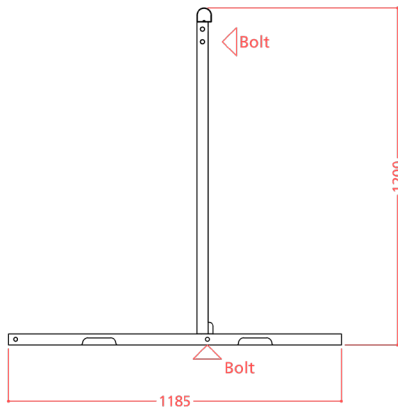
DB Cable Gate 0m50



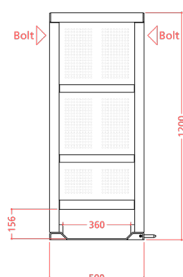
top view

This unit will be tested at a minimum of 5kN/m pressure at the top rail, following and exceeding the Temporary Demountable Structures Edition 4 guidelines by the Institution of Structural Engineers (ISE). TUV reports for each test will be available at Dutch Barrier & Dutch Barrier Services upon request.

- a state of the art aluminium barrier system, built for fast setup and optimised crowd control solutions -



side view



front view

Technical Specs

- A welded galvanized steel floor and aluminium upright
- A treadplate measures 500mm wide and 1185mm deep, the upright measures 500mm wide and 1190mm high
- A rounded top rail and welded end caps for the audience's comfort & and safety
- Bottom pin in treadplate and smart 'locks' at the bottom of the upright provide for easy setup and alignment
- The upright connects to the adjoining barriers by two standard Dutch Barrier bolts. During setup, the crew may take out the upright
- The treadplate interconnects at the bottom on either side by one standard Dutch Barrier bolt
- Also available with black upright
- Weights: Floor 26,2kg, upright 8,2kg
- Stored and travel per 20 complete sets in a bespoke stainless steel dolly 10
- Use in high crowd pressure areas: ●●●● 5/5

- a safe show for every row -